



**Jordan.**  
Precision Engineering Ltd

## HIGH PRESSURE API/ANSI FLANGES

## 5.1 API & ANSI FLANGES

All our API Flanges are in-line with the following specifications:

<b>MSSP-SP-55</b>	Quality Standards for Steel Castings for Valves, Flanges and Fittings and other Piping Components
<b>ANSI B31.3</b>	Chemical Plant & Petroleum Refinery Piping
<b>ASME VIII</b>	Boiler & Pressure Vessel Code
<b>API 6A</b>	Specification for Wellhead & Christmas Tree Equipment
<b>NACE MR-01-75</b>	Sulphide Stress Cracking Resistant Metallic Materials for Oilfield Equipment

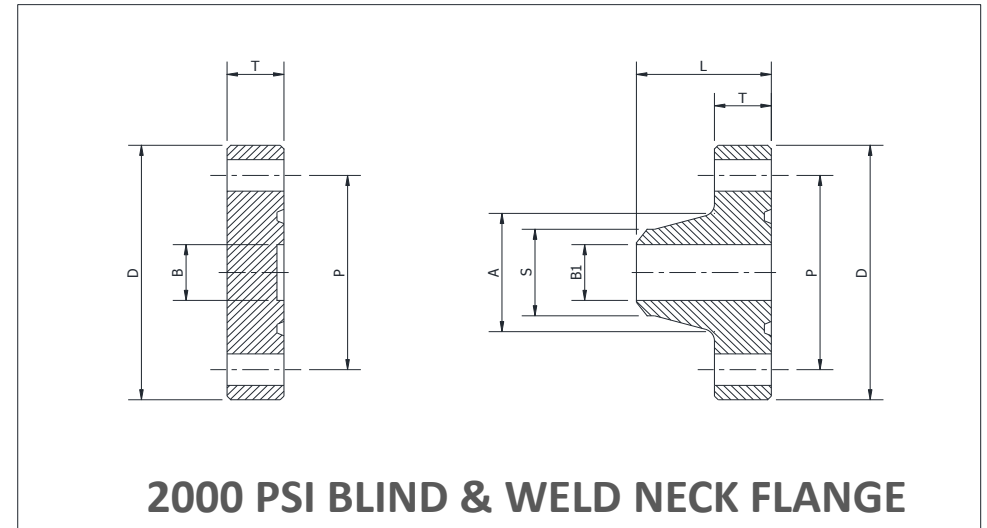
We offer API Flanges in Weld Neck, Integral, Blind, Target & Test form for pressure ratings shown below.

MAX. WORKING PRESSURE	2000 PSI	3000 PSI	5000 PSI	10000 PSI	15000 PSI	20000 PSI
TEST PRESSURE	4000 PSI	6000 PSI	7500 PSI	15000 PSI	22500 PSI	30000 PSI
PRODUCT SPECIFICATION LEVELS	1,2 & 3	1,2 & 3	1,2 & 3	2,3 & 4	3 & 4	3 & 4
API TEMPERATURE RATING	K (-60° C) TO Y (+345° C)	K (-60° C) TO Y (+345° C)	K (-60° C) TO Y (+345° C)	K (-60° C) TO Y (+345° C)	K (-60° C) TO Y (+345° C)	K (-60° C) TO Y (+345° C)
API SPECIFIED	<b>INTEGRAL, BLIND, TARGET BLIND &amp; TEST FLANGES</b>					
MIN. YIELD	60000 PSI	60000 PSI	60000 PSI	60000 PSI	75000 PSI	75000 PSI
MIN. TENSILE	85000 PSI	85000 PSI	85000 PSI	85000 PSI	95000 PSI	95000 PSI
MATERIAL	API 60K	API 60K	API 60K	API 60K	API 75K	API 75K
API SPECIFIED	<b>WELD NECK FLANGES</b>					
MIN. YIELD	45000 PSI	45000 PSI	45000 PSI	60000 PSI	75000 PSI	75000 PSI
MIN. TENSILE	70000 PSI	70000 PSI	70000 PSI	85000 PSI	95000 PSI	95000 PSI
MATERIAL	API 45K	API 45K	API 45K	API 60K	API 75K	API 75K

## 5.2 API 6A & ANSI FLANGES

### Options

- CRA and SS Weld Inlay
- Customer specific Bore diameter
- Material Type
- 3.2 Certification
- Performance specification Level



2000 PSI BLIND & WELD NECK FLANGE DIMENSIONS													
NOMINAL SIZE & BORE OF FLANGE	MAXIMUM BORE (B)	MAXIMUM BORE WELD NECK (B1)	OUTSIDE DIAMETER OF FLANGE (D)	DIAMETER OF RAISED FACE *	TOTAL THICKNESS OF FLANGE (T)	HUB LENGTH (L)	LARGE DIAMETER OF HUB (A)	SMALL DIAMETER OF HUB (S)	DIAMETER OF BOLT CIRCLE (P)	No. OF BOLTS	DIAMETER OF BOLTS	DIAMETER OF BOLT HOLES	RING NUMBER R OR RX
2 1/16"	2.09	6.5	6.5	4.25	1.31	3.19	3.31	2.38	5	8	5/8"	0.75	23
2 9/16"	2.59	7.5	7.5	5	1.44	3.44	3.94	2.88	5.88	8	3/4"	0.88	26
3 1/8"	3.22	8.25	8.25	5.75	1.56	3.56	4.62	3.5	6.62	8	3/4"	0.88	31
4 1/16"	4.28	10.75	10.75	6.88	1.81	4.31	6	4.5	8.5	8	7/8"	1	37
5 1/8"	5.16	13	13	8.25	2.06	4.81	7.44	5.56	10.5	8	1"	1.12	41
7 1/16"	7.16	14	14	9.5	2.19	4.94	8.75	6.63	11.5	12	1"	1.12	45
9"	9.03	16.5	16.5	11.88	2.5	5.56	10.75	8.63	13.75	12	1 1/8"	1.25	49
11"	11.03	20	20	14	2.81	6.31	13.5	10.75	17	16	1 1/4"	1.38	53
13 5/8"	13.66	22	22	16.25	2.94	X	15.75	X	19.25	20	1 1/4"	1.38	57
16 3/4"	16.78	27	27	20	3.31	X	19.5	X	23.75	20	1 1/2"	1.62	65
21 1/4"	21.28	32	32	25	3.88	X	24	X	28.5	24	1 5/8"	1.75	73

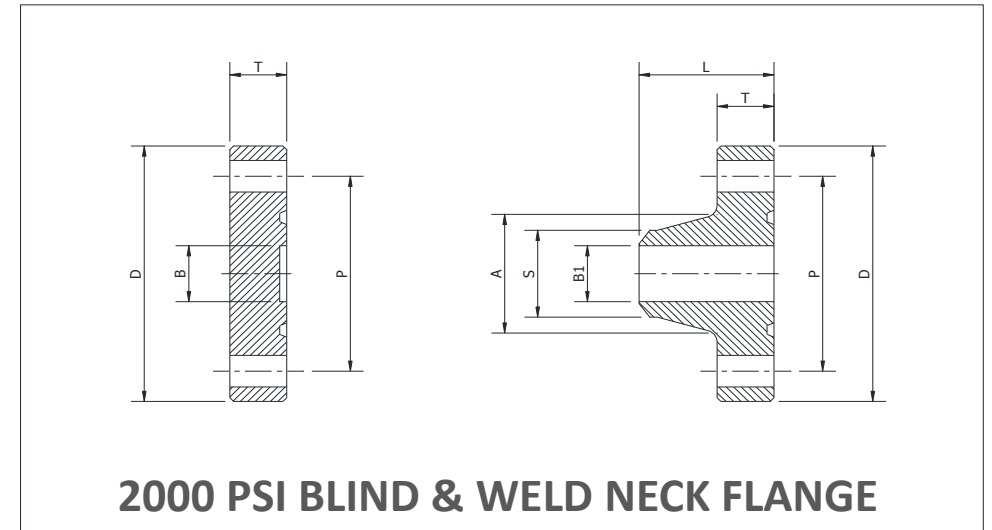
\* Not standard supply on 6B Flanges. Can be supplied at purchasers request.

NOTE : ALL DIMENSIONS IN (inches)

## 5.3 API 6A & ANSI FLANGES

### Options

- CRA and SS Weld Inlay
- Customer specific Bore diameter
- Material Type
- 3.2 Certification
- Performance specification Level



2000 PSI BLIND & WELD NECK FLANGE DIMENSIONS													
NOMINAL SIZE & BORE OF FLANGE	MAXIMUM BORE (B)	MAXIMUM BORE WELD NECK (B1)	OUTSIDE DIAMETER OF FLANGE (D)	DIAMETER OF RAISED FACE *	TOTAL THICKNESS OF FLANGE (T)	HUB LENGTH (L)	LARGE DIAMETER OF HUB (A)	SMALL DIAMETER OF HUB (S)	DIAMETER OF BOLT CIRCLE (P)	No. OF BOLTS	DIAMETER OF BOLTS	DIAMETER OF BOLT HOLES	RING NUMBER R OR RX
2 1/16"	2.09	6.5	6.5	4.25	1.31	3.19	3.31	2.38	5	8	5/8"	0.75	23
2 9/16"	2.59	7.5	7.5	5	1.44	3.44	3.94	2.88	5.88	8	3/4"	0.88	26
3 1/8"	3.22	8.25	8.25	5.75	1.56	3.56	4.62	3.5	6.62	8	3/4"	0.88	31
4 1/16"	4.28	10.75	10.75	6.88	1.81	4.31	6	4.5	8.5	8	7/8"	1	37
5 1/8"	5.16	13	13	8.25	2.06	4.81	7.44	5.56	10.5	8	1"	1.12	41
7 1/16"	7.16	14	14	9.5	2.19	4.94	8.75	6.63	11.5	12	1"	1.12	45
9"	9.03	16.5	16.5	11.88	2.5	5.56	10.75	8.63	13.75	12	1 1/8"	1.25	49
11"	11.03	20	20	14	2.81	6.31	13.5	10.75	17	16	1 1/4"	1.38	53
13 5/8"	13.66	22	22	16.25	2.94	X	15.75	X	19.25	20	1 1/4"	1.38	57
16 3/4"	16.78	27	27	20	3.31	X	19.5	X	23.75	20	1 1/2"	1.62	65
21 1/4"	21.28	32	32	25	3.88	X	24	X	28.5	24	1 5/8"	1.75	73

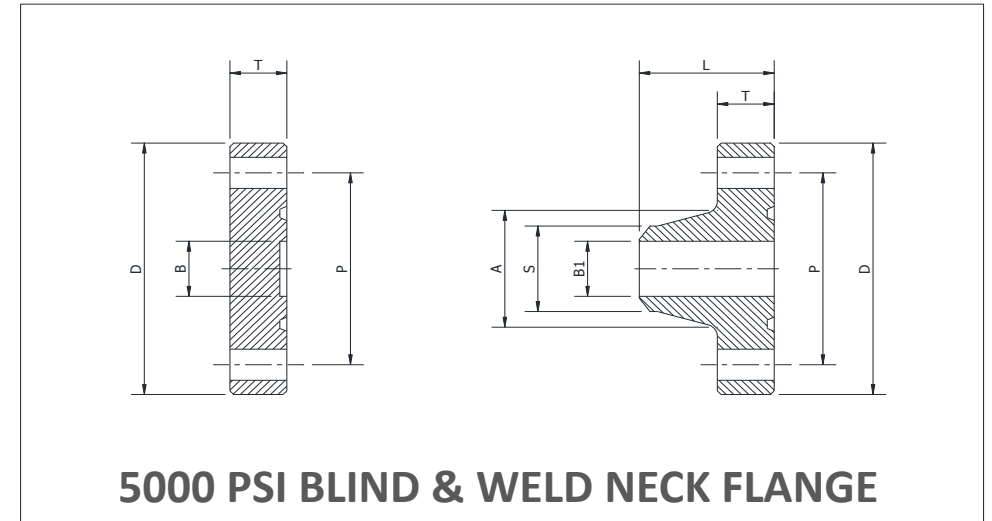
\* Not standard supply on 6B Flanges. Can be supplied at purchases request.

NOTE : ALL DIMENSIONS IN (inches)

## 5.4 API 6A & ANSI FLANGES

### Options

- CRA and SS Weld Inlay
- Customer specific Bore diameter
- Material Type
- 3.2 Certification
- Performance specification Level



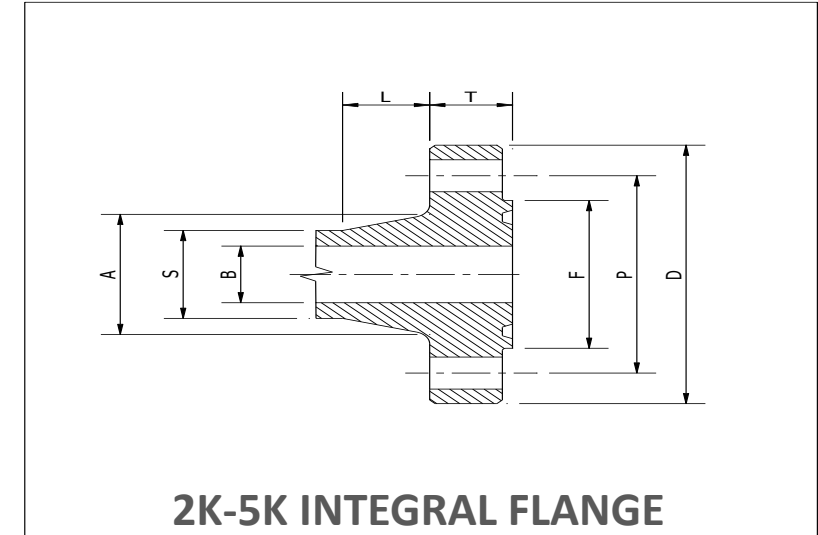
5000 PSI BLIND & WELD NECK FLANGE DIMENSIONS													
NOMINAL SIZE & BORE OF FLANGE	MAXIMUM BORE (B)	MAXIMUM BORE OF WELDING NECK	OUTSIDE DIAMETER OF FLANGE (D)	DIAMETER OF RAISED FACE *	TOTAL THICKNESS OF FLANGE (T)	HUB LENGTH (L)	LARGE DIAMETER OF HUB (A)	SMALL DIAMETER OF HUB	DIAMETER OF BOLT CIRCLE (P)	No. OF BOLTS	DIAMETER OF BOLTS	DIAMETER OF BOLT HOLES	RING NUMBER R OR RX
2 1/16"	2.09	1.72	8.5	4.88	1.81	4.31	4.12	2.38	6.5	8	7/8"	1	24
2 9/16"	2.59	2.16	9.62	5.38	1.94	4.44	4.88	2.88	7.5	8	1"	1.12	27
3 1/8"	3.22	2.65	9.5	6.12	1.81	4.94	5	3.5	7.5	8	7/8"	1	31
4 1/16"	4.28	3.47	11.5	7.12	2.06	5.19	6.25	4.5	9.25	8	1 1/8"	1.25	37
5 1/8"	5.16	4.34	13.75	8.5	2.31	6.44	7.5	5.56	11	8	1 1/4"	1.38	41
7 1/16"	7.16	5.22	15	9.5	2.5	7.13	9.25	6.63	12.5	12	1 1/8"	1.25	45
9"	9.03	6.84	18.5	12.12	2.81	8.81	11.75	8.63	15.5	12	1 3/8"	1.5	49
11"	11.03	8.53	21.5	14.25	3.06	10.44	14.5	10.75	18.5	16	1 3/8"	1.5	53

\* Not standard supply on 6B Flanges. Can be supplied at purchasers request.  
NOTE : ALL DIMENSIONS IN (inches)

## 5.5 API 6A & ANSI FLANGES

### Options

- CRA and SS Weld Inlay
- Customer specific Bore diameter
- Material Type
- 3.2 Certification
- Performance specification Level



**2K-5K INTEGRAL FLANGE**

2000, 3000 & 5000 PSI INTEGRAL FLANGES												
NOMINAL SIZE & BORE OF FLANGE	MAXIMUM BORE (B)	OUTSIDE DIAMETER OF FLANGE (D)	DIAMETER OF RAISED FACE (F)	TOTAL THICKNESS OF FLANGE (T)	LARGE DIAMETER OF HUB (A)	SMALL DIAMETER OF HUB (S)	LENGTH OF HUB (L)	DIAMETER OF BOLT CIRCLE (P)	No. OF BOLTS	DIAMETER OF BOLTS	DIAMETER OF BOLT HOLES	RING NUMBER BX
<b>2000 PSI</b>												
26 3/4"	26.78	41	31.69	4.97	32.91	29.25	7.31	37.5	20	1 3/4"	1.88	167
30"	30.03	44.19	35.75	5.28	36.69	32.8	7.75	40.94	32	1 5/8"	1.75	303
<b>3000 PSI</b>												
26 3/4"	26.78	43.38	32.75	6.34	34.25	30.56	7.31	39.38	24	2"	2.12	168
30"	30.03	46.68	36.31	6.58	38.19	34.3	7.75	42.94	32	1 7/8"	2	303
<b>5000 PSI</b>												
13 5/8"	13.66	26.5	18	4.44	18.94	16.69	4.5	23.25	16	1 5/8"	1.75	160
16 3/4"	16.78	30.38	21.06	5.13	21.88	20.75	3	26.62	16	1 7/8"	2	162
18 3/4"	18.78	35.62	24.69	6.53	26.56	23.56	6	31.62	20	2"	2.12	163
21 1/4"	21.28	39	27.62	7.12	29.88	26.75	6.5	34.88	24	2"	2.12	165

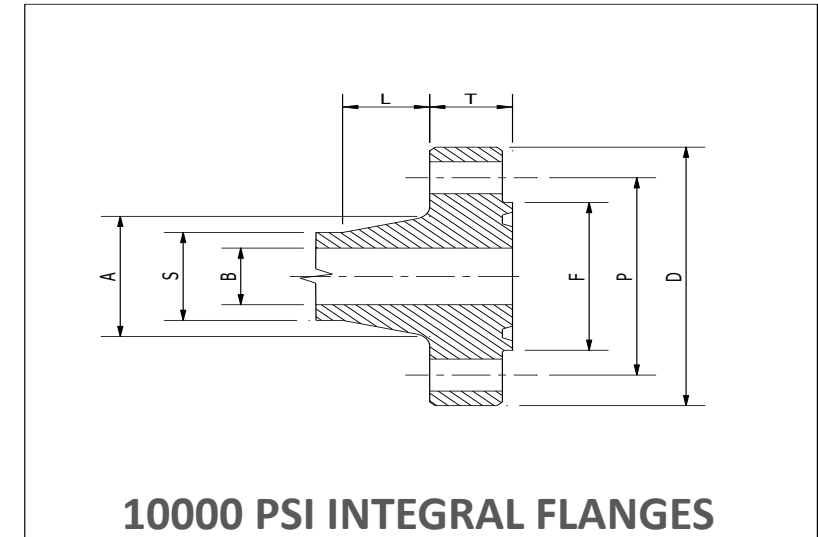
\* Not standard supply on 6B Flanges. Can be supplied at purchasers request.

NOTE : ALL DIMENSIONS IN (inches)

## 5.6 API 6A & ANSI FLANGES

### Options

- CRA and SS Weld Inlay
- Customer specific Bore diameter
- Material Type
- 3.2 Certification
- Performance specification Level



**10000 PSI INTEGRAL FLANGES**

NOMINAL SIZE & BORE OF FLANGE	MAXIMUM BORE (B)	OUTSIDE DIAMETER OF FLANGE (D)	DIAMETER OF RAISED FACE (F)	TOTAL THICKNESS OF FLANGE (T)	LARGE DIAMETER OF HUB (A)	SMALL DIAMETER OF HUB (S)	LENGTH OF HUB (L)	DIAMETER OF BOLT CIRCLE (P)	No. OF BOLTS	DIAMETER OF BOLTS	DIAMETER OF BOLT HOLES	RING NUMBER BX
1 13/16"	1.84	7.38	4.12	1.66	3.5	2.56	1.91	5.75	8	3/4"	0.88	151
2 1/16"	2.09	7.88	4.38	1.73	3.94	2.94	2.03	6.25	8	3/4"	0.88	152
2 9/16"	2.59	9.12	5.19	2.02	4.75	3.62	2.25	7.25	8	7/8"	1	153
3 1/16"	3.09	10.62	6	2.3	5.59	4.34	2.5	8.5	8	1"	1.12	154
4 1/16"	4.09	12.44	7.28	2.77	7.19	5.75	2.88	10.19	8	1 1/8"	1.25	155
5 1/8"	5.16	14.06	8.69	3.12	8.81	7.19	3.19	11.81	12	1 1/8"	1.25	169
7 1/16"	7.09	18.88	11.88	4.06	11.88	10	3.75	15.88	12	1 1/2"	1.62	156
9"	9.03	21.75	14.12	4.88	14.75	12.88	3.69	18.75	16	1 1/2"	1.62	157
11"	11.03	25.75	16.88	5.56	17.75	15.75	4.06	22.25	16	1 3/4"	1.88	158
13 5/8"	13.66	30.25	20.38	6.62	21.75	19.5	4.5	26.5	20	1 7/8"	2	159
16 3/4"	16.78	34.31	22.69	6.62	25.81	23.69	3	30.56	24	1 7/8"	2	162
18 3/4"	18.78	40.94	27.44	8.78	29.62	26.56	6.12	36.44	24	2 1/4"	2.38	164
21 1/4"	21.28	45	30.75	9.5	33.38	30	6.5	40.25	24	2 1/2"	2.62	166

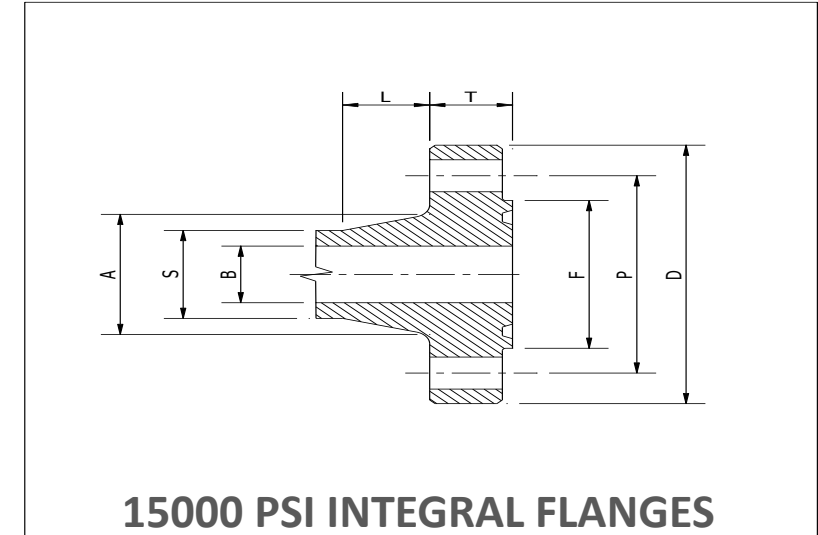
\* Not standard supply on 6B Flanges. Can be supplied at purchasers request.

NOTE : ALL DIMENSIONS IN (inches)

## 5.7 API 6A & ANSI FLANGES

### Options

- CRA and SS Weld Inlay
- Customer specific Bore diameter
- Material Type
- 3.2 Certification
- Performance specification Level



15000 PSI INTEGRAL FLANGES												
NOMINAL SIZE & BORE OF FLANGE	MAXIMUM BORE (B)	OUTSIDE DIAMETER OF FLANGE (D)	DIAMETER OF RAISED FACE (F)	TOTAL THICKNESS OF FLANGE (T)	LARGE DIAMETER OF HUB (A)	SMALL DIAMETER OF HUB (S)	LENGTH OF HUB (L)	DIAMETER OF BOLT CIRCLE (P)	No. OF BOLTS	DIAMETER OF BOLTS	DIAMETER OF BOLT HOLES	RING NUMBER BX
1 13/16"	1.84	7.38	4.12	1.66	3.5	2.56	1.91	5.75	8	3/4"	0.88	151
2 1/16"	2.09	7.88	4.38	1.73	3.94	2.94	2.03	6.25	8	3/4"	0.88	152
2 9/16"	2.59	9.12	5.19	2.02	4.75	3.62	2.25	7.25	8	7/8"	1	153
3 1/16"	3.09	10.62	6	2.3	5.59	4.34	2.5	8.5	8	1"	1.12	154
4 1/16"	4.09	12.44	7.28	2.77	7.19	5.75	2.88	10.19	8	1 1/8"	1.25	155
5 1/8"	5.16	14.06	8.69	3.13	8.81	7.19	3.19	11.81	12	1 1/8"	1.25	169
7 1/16"	7.09	18.88	11.88	4.06	11.88	10	3.75	15.88	12	1 1/2"	1.62	156
9"	9.03	21.75	14.12	4.88	14.75	12.88	3.69	18.75	16	1 1/2"	1.62	157
11"	11.03	25.75	16.88	5.56	17.75	15.75	4.06	22.25	16	1 3/4"	1.88	158
13 5/8"	13.66	30.25	20.38	6.62	21.75	19.5	4.5	26.5	20	1 7/8"	2	159
16 3/4"	16.78	34.31	22.69	6.62	25.81	23.69	3	30.56	24	1 7/8"	2	162

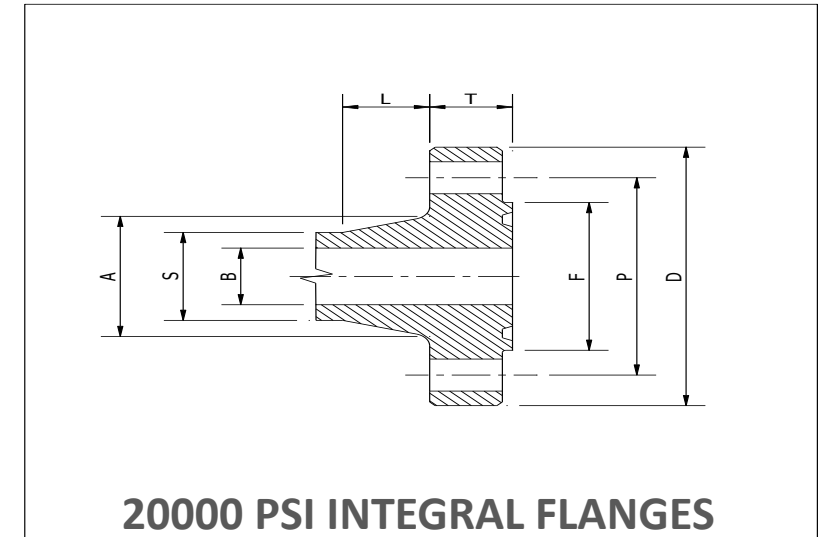
NOTE : ALL DIMENSIONS IN (inches)



## 5.8 API 6A & ANSI FLANGES

### Options

- CRA and SS Weld Inlay
- Customer specific Bore diameter
- Material Type
- 3.2 Certification
- Performance specification Level



**20000 PSI INTEGRAL FLANGES**

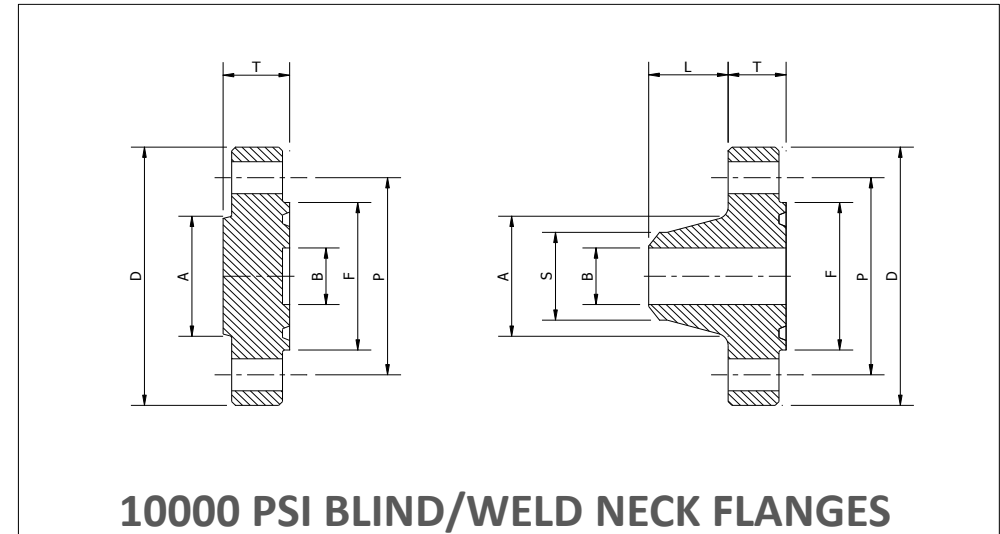
NOMINAL SIZE & BORE OF FLANGE	MAXIMUM BORE (B)	OUTSIDE DIAMETER OF FLANGE (D)	DIAMETER OF RAISED FACE (F)	TOTAL THICKNESS OF FLANGE (T)	LARGE DIAMETER OF HUB (A)	SMALL DIAMETER OF HUB (S)	LENGTH OF HUB (L)	DIAMETER OF BOLT CIRCLE (P)	No. OF BOLTS	DIAMETER OF BOLTS	DIAMETER OF BOLT HOLES	RING NUMBER BX
1 13/16"	1.84	10.12	4.62	2.5	5.25	4.31	1.94	8	8	1"	1.12	151
2 1/16"	2.09	11.31	5.19	2.81	6.06	5	2.06	9.06	8	1 1/8"	1.25	152
2 9/16"	2.59	12.81	5.94	3.12	6.81	5.69	2.31	10.31	8	1 1/4"	1.38	153
3 1/16"	3.09	14.06	6.75	3.38	7.56	6.31	2.5	11.31	8	1 3/8"	1.5	154
4 1/16"	4.09	17.56	8.62	4.19	9.56	8.12	2.88	14.06	8	1 3/4"	1.88	155
7 1/16"	7.09	25.81	13.88	6.5	15.19	13.31	3.81	21.81	16	2"	2.12	156
9"	9.03	31.69	17.38	8.06	18.94	16.88	4.25	27	16	2 1/2"	2.62	157
11"	11.03	34.75	19.88	8.81	22.31	20	4.06	29.5	16	2 3/4"	2.88	158
13 5/8"	13.66	45.75	24.19	11.5	27.31	24.75	5.25	40	20	3"	3.12	159

**NOTE :** ALL DIMENSIONS IN (inches)

## 5.9 API 6A & ANSI FLANGES

### Options

- CRA and SS Weld Inlay
- Customer specific Bore diameter
- Material Type
- 3.2 Certification
- Performance specification Level



**10000 PSI BLIND/WELD NECK FLANGES**

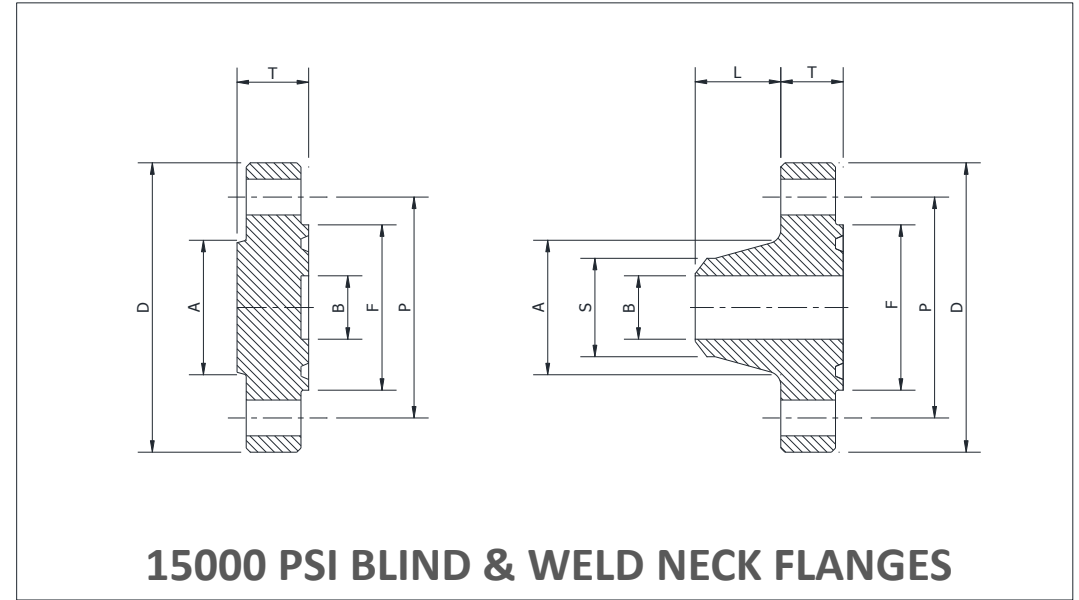
10000 PSI BLIND & WELD NECK FLANGE												
NOMINAL SIZE & BORE OF FLANGE	MAXIMUM BORE (B)	OUTSIDE DIAMETER OF FLANGE (D)	DIAMETER OF RAISED FACE (F)	TOTAL THICKNESS OF FLANGE (T)	LARGE DIAMETER OF HUB (A)	SMALL DIAMETER OF HUB (S)	LENGTH OF HUB (L)	DIAMETER OF BOLT CIRCLE (P)	No. OF BOLTS	DIAMETER OF BOLTS	DIAMETER OF BOLT HOLES	RING NUMBER BX
1 13/16"	1.84	7.38	4.12	1.66	3.5	2.56	1.91	5.75	8	3/4"	0.88	151
2 1/16"	2.09	7.88	4.38	1.73	3.94	2.94	2.03	6.25	8	3/4"	0.88	152
2 9/16"	2.59	9.12	5.19	2.02	4.75	3.62	2.25	7.25	8	7/8"	1	153
3 1/16"	3.09	10.62	6	2.3	5.59	4.34	2.5	8.5	8	1"	1.12	154
4 1/16"	4.09	12.44	7.28	2.77	7.19	5.75	2.88	10.19	8	1 1/8"	1.25	155
5 1/8"	5.16	14.06	8.69	3.13	8.81	7.19	3.19	11.81	12	1 1/8"	1.25	169
7 1/16"	7.09	18.88	11.88	4.06	11.88	10	3.75	15.88	12	1 1/2"	1.62	156
9"	9.03	21.75	14.12	4.88	14.75	12.88	3.69	18.75	16	1 1/2"	1.62	157
11"	11.03	25.75	16.88	5.56	17.75	15.75	4.06	22.25	16	1 3/4"	1.88	158
13 5/8"	13.66	30.25	20.38	6.62	21.75	19.5	4.5	26.5	20	1 7/8"	2	159
16 3/4"	16.78	34.31	22.69	6.62	25.81	23.69	3	30.56	24	1 7/8"	2	162

NOTE : ALL DIMENSIONS IN (inches)

## 5.10 API 6A & ANSI FLANGES

### Options

- CRA and SS Weld Inlay
- Customer specific Bore diameter
- Material Type
- 3.2 Certification
- Performance specification Level



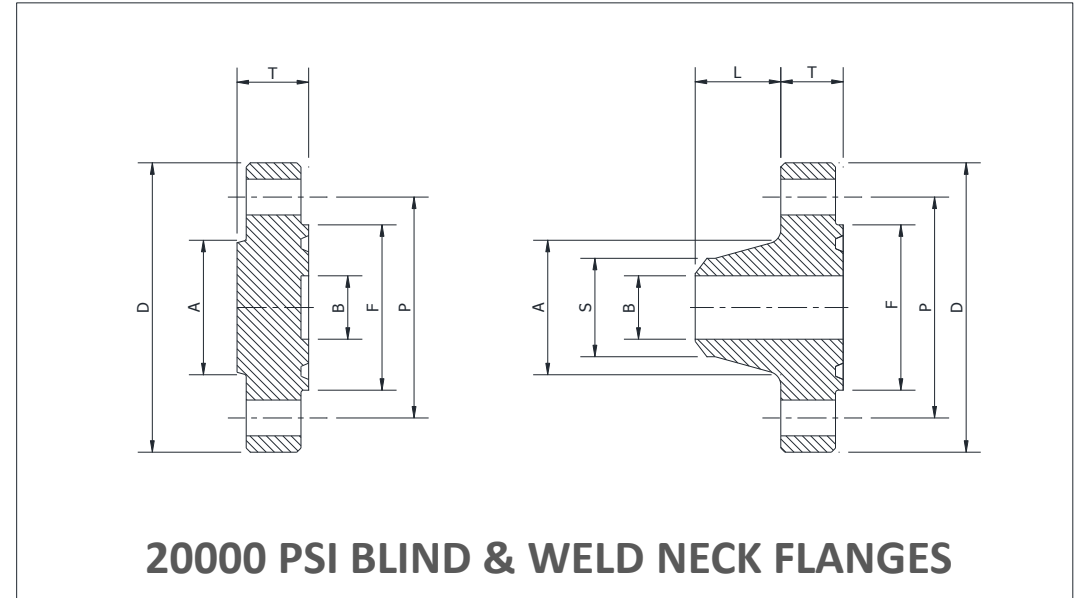
15000 PSI BLIND & WELD NECK FLANGE DIMENSIONS												
NOMINAL SIZE & BORE OF FLANGE	MAXIMUM BORE (B)	OUTSIDE DIAMETER OF FLANGE (D)	DIAMETER OF RAISED FACE (F)	TOTAL THICKNESS OF FLANGE (T)	LARGE DIAMETER OF HUB (A)	SMALL DIAMETER OF HUB (S)	LENGTH OF HUB (L)	DIAMETER OF BOLT CIRCLE (P)	No. OF BOLTS	DIAMETER OF BOLTS	DIAMETER OF BOLT HOLES	RING NUMBER BX
1 13/16"	1.84	8.19	4.19	1.78	3.84	2.81	1.88	6.31	8	7/8"	0.88	151
2 1/16"	2.09	8.75	4.5	2	4.38	3.25	2.12	6.88	8	7/8"	0.88	152
2 9/16"	2.59	10	5.25	2.25	5.06	3.94	2.25	7.88	8	1"	1	153
3 1/16"	3.09	11.31	6.06	2.53	6.06	4.81	2.5	9.06	8	1 1/8"	1.12	154
4 1/16"	4.09	14.19	7.62	3.09	7.69	6.25	2.88	11.44	8	1 3/8"	1.25	155
5 1/8"	5.16	16.5	8.88	3.88	9.62	7.88	3.22	13.5	12	1 1/2"	1.25	169
7 1/16"	7.09	19.88	12	4.69	12.81	10.88	3.62	16.88	16	1 1/2"	1.62	156

NOTE : ALL DIMENSIONS IN (inches)

## 5.11 API 6A & ANSI FLANGES

### Options

- CRA and SS Weld Inlay
- Customer specific Bore diameter
- Material Type
- 3.2 Certification
- Performance specification Level



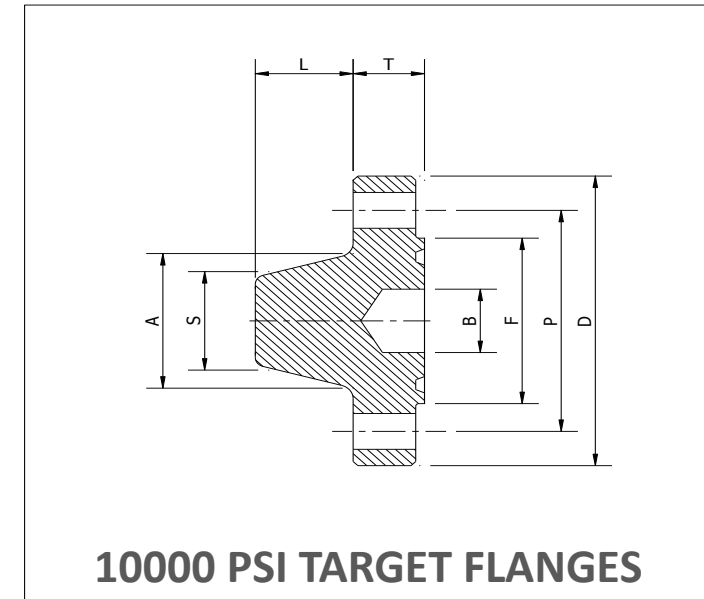
20000 PSI BLIND & WELD NECK FLANGE												
NOMINAL SIZE & BORE OF FLANGE	MAXIMUM BORE (B)	OUTSIDE DIAMETER OF FLANGE (D)	DIAMETER OF RAISED FACE (F)	TOTAL THICKNESS OF FLANGE (T)	LARGE DIAMETER OF HUB (A)	SMALL DIAMETER OF HUB (S)	LENGTH OF HUB (L)	DIAMETER OF BOLT CIRCLE (P)	No. OF BOLTS	DIAMETER OF BOLTS	DIAMETER OF BOLT HOLES	RING NUMBER BX
1 13/16"	1.84	10.12	4.62	2.5	5.25	4.31	1.91	8	8	1"	1.12	151
2 1/16"	2.09	11.31	5.19	2.81	6.06	5	2.06	9.06	8	1 1/8"	1.25	152
2 9/16"	2.59	12.81	5.94	3.12	6.81	5.69	2.31	10.31	8	1 1/4"	1.38	153
3 1/16"	3.09	14.06	6.75	3.38	7.56	6.31	2.5	11.31	8	1 3/8"	1.5	154
4 1/16"	4.09	17.56	8.62	4.19	9.56	8.12	2.88	14.06	8	1 3/4"	1.88	155
7 1/16"	7.09	25.81	13.88	6.5	15.19	13.31	3.81	21.81	16	2"	2.12	156

NOTE : ALL DIMENSIONS IN (inches)

## 5.12 API 6A & ANSI FLANGES

### Options

- CRA and SS Weld Inlay
- Customer specific Bore diameter
- Material Type
- 3.2 Certification
- Performance specification Level



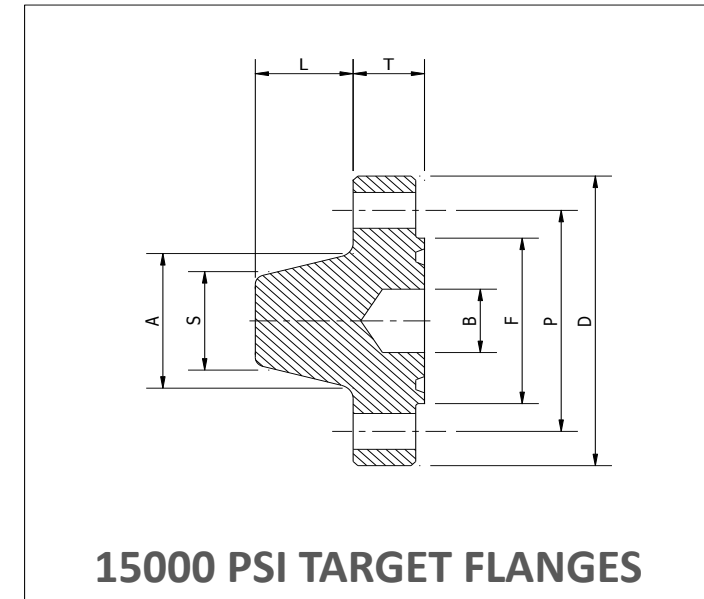
10000 PSI TARGET FLANGES												
NOMINAL SIZE & BORE OF FLANGE	MAXIMUM BORE (B)	OUTSIDE DIAMETER OF FLANGE (D)	DIAMETER OF RAISED FACE (F)	TOTAL THICKNESS OF FLANGE (T)	LARGE DIAMETER OF HUB (A)	SMALL DIAMETER OF HUB (S)	LENGTH OF HUB (L)	DIAMETER OF BOLT CIRCLE (P)	No. OF BOLTS	DIAMETER OF BOLTS	DIAMETER OF BOLT HOLES	RING NUMBER BX
1 13/16"	1.84	7.38	4.12	1.66	3.5	2.56	1.91	5.75	8	3/4"	0.88	151
2 1/16"	2.09	7.88	4.38	1.73	3.94	2.94	2.03	6.25	8	3/4"	0.88	152
2 9/16"	2.59	9.12	5.19	2.02	4.75	3.62	2.25	7.25	8	7/8"	1	153
3 1/16"	3.09	10.62	6	2.3	5.59	4.34	2.5	8.5	8	1"	1.12	154
4 1/16"	4.09	12.44	7.28	2.77	7.19	5.75	2.88	10.19	8	1 1/8"	1.25	155
5 1/8"	5.16	14.06	8.69	3.13	8.81	7.19	3.19	11.81	12	1 1/8"	1.25	169

NOTE : ALL DIMENSIONS IN (inches)

## 5.13 API 6A & ANSI FLANGES

### Options

- CRA and SS Weld Inlay
- Customer specific Bore diameter
- Material Type
- 3.2 Certification
- Performance specification Level



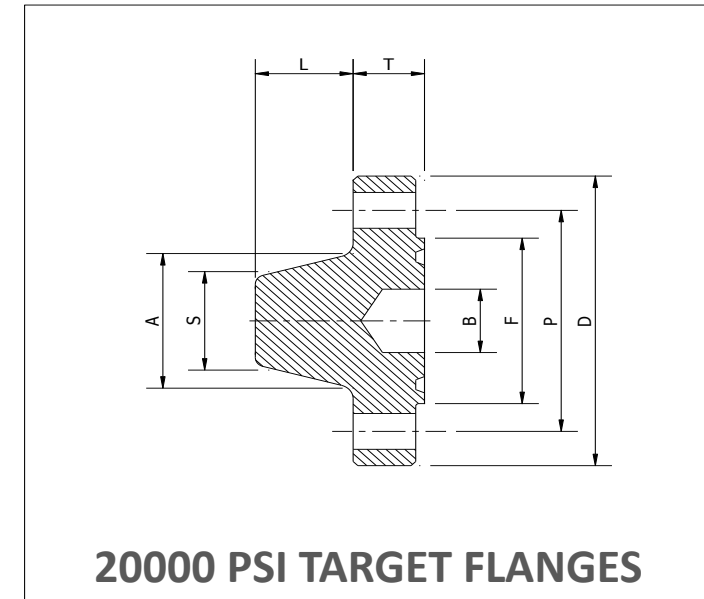
15000 PSI TARGET FLANGES												
NOMINAL SIZE & BORE OF FLANGE	MAXIMUM BORE (B)	OUTSIDE DIAMETER OF FLANGE (D)	DIAMETER OF RAISED FACE (F)	TOTAL THICKNESS OF FLANGE (T)	LARGE DIAMETER OF HUB (A)	SMALL DIAMETER OF HUB (S)	LENGTH OF HUB (L)	DIAMETER OF BOLT CIRCLE (P)	No. OF BOLTS	DIAMETER OF BOLTS	DIAMETER OF BOLT HOLES	RING NUMBER BX
1 13/16"	1.84	8.19	4.19	1.78	3.84	2.81	1.88	6.31	8	1"	1	151
2 1/16"	2.09	8.75	4.5	2	4.38	3.25	2.12	6.88	8	1 1/8"	1	152
2 9/16"	2.59	10	5.25	2.25	5.06	3.94	2.25	7.88	8	1 1/4"	1.12	153
3 1/16"	3.09	11.31	6.06	2.53	6.06	4.81	2.5	9.06	8	1 3/8"	1.25	154
4 1/16"	4.09	14.19	7.62	3.09	7.69	6.25	2.88	11.44	8	1 3/4"	1.5	155
5 1/8"	5.16	16.5	8.88	3.88	9.62	7.88	3.22	13.5	12	2"	1.62	169

**NOTE :** ALL DIMENSIONS IN (inches)

## 5.14 API 6A & ANSI FLANGES

### Options

- CRA and SS Weld Inlay
- Customer specific Bore diameter
- Material Type
- 3.2 Certification
- Performance specification Level



20000 PSI TARGET FLANGES												
NOMINAL SIZE & BORE OF FLANGE	MAXIMUM BORE (B)	OUTSIDE DIAMETER OF FLANGE (D)	DIAMETER OF RAISED FACE (F)	TOTAL THICKNESS OF FLANGE (T)	LARGE DIAMETER OF HUB (A)	SMALL DIAMETER OF HUB (S)	LENGTH OF HUB (L)	DIAMETER OF BOLT CIRCLE (P)	No. OF BOLTS	DIAMETER OF BOLTS	DIAMETER OF BOLT HOLES	RING NUMBER BX
1 13/16"	1.84	10.12	4.62	2.5	5.25	4.31	1.94	8	8	1"	1.12	151
2 1/16"	2.09	11.31	5.19	2.81	6.06	5	2.06	9.06	8	1 1/8"	1.25	152
2 9/16"	2.59	12.81	5.94	3.12	6.81	5.69	2.31	10.31	8	1 1/4"	1.38	153
3 1/16"	3.09	14.06	6.75	3.38	7.56	6.31	2.5	11.31	8	1 3/8"	1.5	154
4 1/16"	4.09	17.56	8.62	4.19	9.56	8.12	2.88	14.06	8	1 3/4"	1.88	155

NOTE : ALL DIMENSIONS IN (inches)

## 5.15 API 6A & ANSI FLANGES

All our ANSI Flanges are in-line with the following specifications:

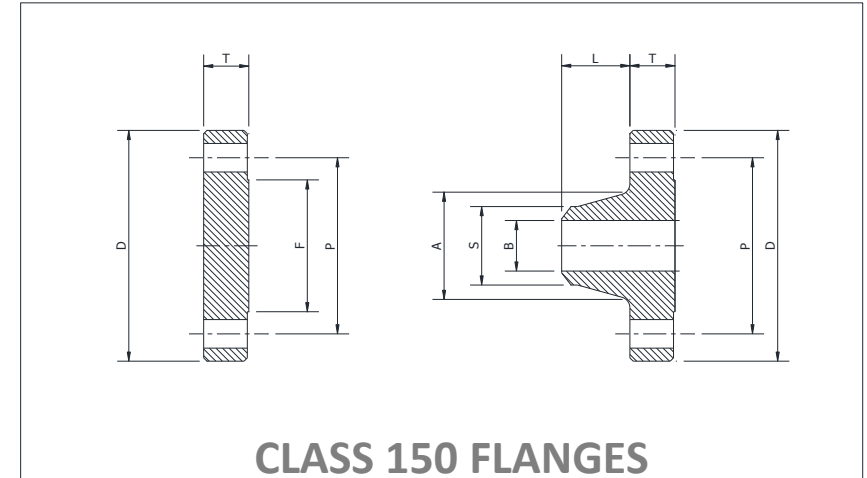
<b>MSSP-SP-55</b>	Quality Standards for Steel Castings for Valves, Flanges and Fittings and other Piping Components
<b>ANSI B16.5</b>	Pipe Flanges and Flanged Fittings
<b>ANSI B31.3</b>	Chemical Plant & Petroleum Refinery Piping
<b>ASME VIII</b>	Boiler & Pressure Vessel Code
<b>NACE MR-01-75</b>	Sulphide Stress Cracking Resistant Metallic Materials for Oilfield Equipment

We offer ANSI Flanges in Weld Neck & Blind form for pressure ratings shown below.

<b>RATING</b>	<b>150lb</b>	<b>300lb</b>	<b>400lb</b>	<b>600lb</b>	<b>900lb</b>	<b>1500lb</b>	<b>2500lb</b>
MAX WORKING PRESSURE	285 PSI	740 PSI	990 PSI	1480 PSI	2220 PSI	3705 PSI	6170 PSI
TEST PRESSURE	450 PSI	1125 PSI	1500 PSI	2225 PSI	3350 PSI	5575 PSI	9275 PSI
OPERATING TEMPERATURE RANGE	-28 TO +540°C	-28 TO +540°C	-28 TO +540°C	-28 TO +540°C	-28 TO +540°C	-28 TO +540°C	-28 TO +540°C



## 5.16 API 6A & ANSI FLANGES

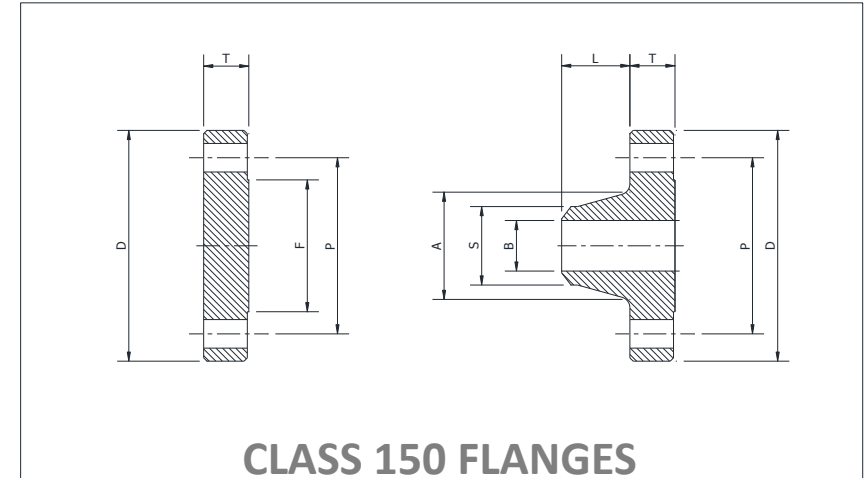


**CLASS 150 FLANGES**

CLASS 150 FLANGES										
NOMINAL PIPE SIZE (NPS)	OUTSIDE DIA. OF FLANGE (D)	THICKNESS OF FLANGE MIN. (T)	LARGE DIAMETER OF HUB (A)	SMALL DIAMETER OF HUB (S)	LENGTH THROUGH HUB		DRILLING			
					WELDING NECK (L)	WELDING NECK (B)	DIAMETER OF BOLT CIRCLE (P)	DIAMETER OF BOLT HOLES	NUMBER OF HOLES	DIAMETER O BOLTS
1/2"	3.5	0.44	1.19	0.84	1.88	0.62	2.38	0.62	4	1/2"
3/4"	3.88	0.5	1.5	1.05	2.06	0.82	2.75	0.62	4	1/2"
1"	4.25	0.56	1.94	1.32	2.19	1.05	3.12	0.62	4	1/2"
1 1/4"	4.62	0.62	2.31	1.66	2.25	1.38	3.5	0.62	4	1/2"
1 1/2"	5	0.69	2.56	1.9	2.44	1.61	3.88	0.62	4	1/2"
2"	6	0.75	3.06	2.38	2.5	2.07	4.75	0.75	4	5/8"
2 1/2"	7	0.88	3.56	2.88	2.75	2.47	5.5	0.75	4	5/8"
3"	7.5	0.94	4.25	3.5	2.75	3.07	6	0.75	4	5/8"
3 1/2"	8.5	0.94	4.81	4	2.81	3.55	7	0.75	8	5/8"
4"	9	0.94	5.31	4.5	3	4.03	7.5	0.75	8	5/8"

**NOTE :** ALL DIMENSIONS IN (inches)

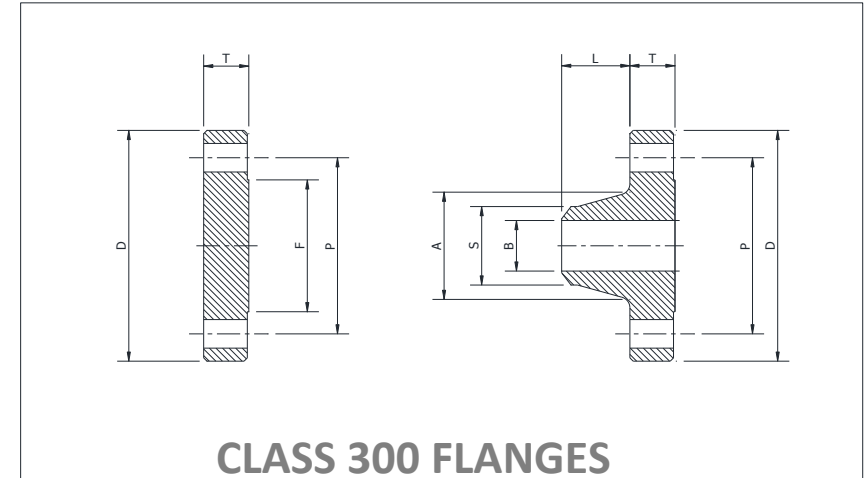
## 5.17 API 6A & ANSI FLANGES



CLASS 150 FLANGES										
NOMINAL PIPE SIZE (NPS)	OUTSIDE DIA. OF FLANGE (D)	THICKNESS OF FLANGE MIN. (T)	LARGE DIAMETER OF HUB (A)	SMALL DIAMETER OF HUB (S)	LENGTH THROUGH HUB		BORE			
					WELDING NECK (L)	WELDING NECK (B)	DRILLING			
							DIAMETER OF BOLT CIRCLE (P)	DIAMETER OF BOLT HOLES	NUMBER OF HOLES	DIAMETER O BOLTS
5"	10	0.94	6.44	5.56	3.5	5.05	8.5	0.88	8	3/4"
6"	11	1	7.56	6.63	3.5	6.07	9.5	0.88	8	3/4"
8"	13.5	1.12	9.69	8.63	4	7.98	11.75	0.88	8	3/4"
10"	16	1.19	12	10.75	4	10.02	14.25	1	12	7/8"
12"	19	1.25	14.38	12.75	4.5	12	17	1	12	7/8"
14"	21	1.38	15.75	14	5	TO BE SPECIFIED BY PURCHASER	18.75	1.12	12	1"
16"	23.5	1.44	18	16	5		21.25	1.12	16	1"
18"	25	1.56	19.88	18	5.5		22.75	1.25	16	1 1/8"
20"	27.5	1.69	22	20	5.69		25	1.25	20	1 1/8"
24"	32	1.88	26.12	24	6		29.5	1.38	20	1 1/8"

NOTE : ALL DIMENSIONS IN (inches)

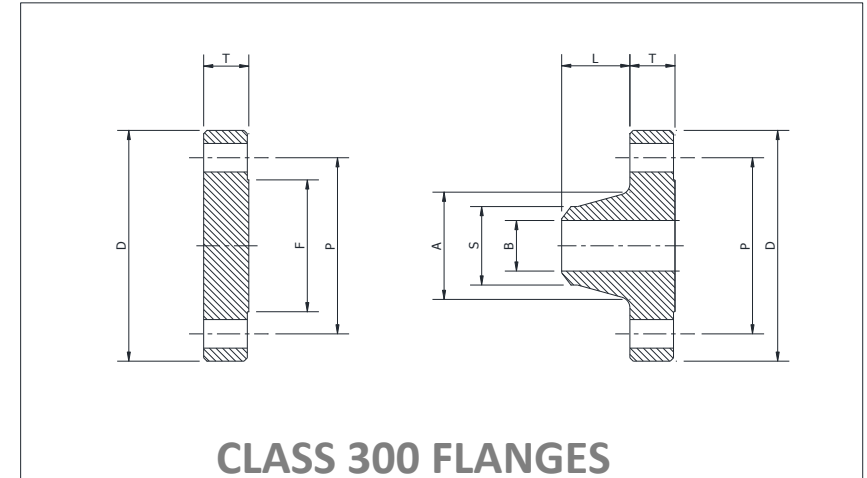
## 5.18 API 6A & ANSI FLANGES



CLASS 300 FLANGES										
NOMINAL PIPE SIZE (NPS)	OUTSIDE DIA. OF FLANGE (D)	THICKNESS OF FLANGE MIN. (T)	LARGE DIAMETER OF HUB (A)	SMALL DIAMETER OF HUB (S)	LENGTH THROUGH		DRILLING			
					WELDING NECK (L)	WELDING NECK (B)	DIAMETER OF BOLT CIRCLE (P)	DIAMETER OF BOLT HOLES	NUMBER OF HOLES	DIAMETER OF BOLTS
1/2"	3.75	0.56	1.5	0.84	2.06	0.62	2.62	0.62	4	1/2"
3/4"	4.62	0.62	1.88	1.05	2.25	0.82	3.25	0.75	4	5/8"
1"	4.88	0.69	2.12	1.32	2.44	1.05	3.5	0.75	4	5/8"
1 1/4"	5.25	0.75	2.5	1.66	2.56	1.38	3.88	0.75	4	5/8"
1 1/2"	6.12	0.81	2.75	1.9	2.69	1.61	4.5	0.88	4	3/4"
2"	6.5	0.88	3.31	2.38	2.75	2.07	5	0.75	8	5/8"
2 1/2"	7.5	1	3.94	2.88	3	2.47	5.88	0.88	8	3/4"
3"	8.25	1.12	4.62	3.5	3.12	3.07	6.62	0.88	8	3/4"
3 1/2"	9	1.19	5.25	4	3.19	3.55	7.25	0.88	8	3/4"
4"	10	1.25	5.75	4.5	3.38	4.03	7.88	0.88	8	3/4"

**NOTE :** ALL DIMENSIONS IN (inches)

## 5.19 API 6A & ANSI FLANGES

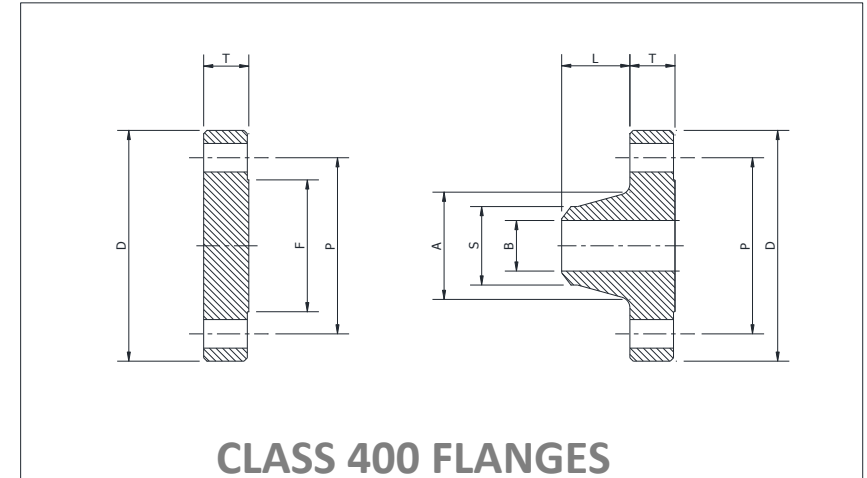


**CLASS 300 FLANGES**

CLASS 300 FLANGES										
NOMINAL PIPE SIZE (NPS)	OUTSIDE DIA. OF FLANGE (D)	THICKNESS OF FLANGE MIN. (T)	LARGE DIAMETER OF HUB (A)	SMALL DIAMETER OF HUB (S)	LENGTH THROUGH	BORE	DRILLING			
					WELDING NECK (L)	WELDING NECK (B)	DIAMETER OF BOLT CIRCLE (P)	DIAMETER OF BOLT HOLES	NUMBER OF HOLES	DIAMETER OF BOLTS
5"	11	1.38	7	5.56	3.88	5.05	9.25	0.88	8	3/4"
6"	12.5	1.44	8.12	6.63	3.88	6.07	10.62	0.88	12	3/4"
8"	15	1.62	10.25	8.63	4.38	7.98	13	1	12	7/8"
10"	17.5	1.88	12.62	10.75	4.62	10.02	15.25	1.12	16	1"
12"	20.5	2	14.75	12.75	5.12	12	17.75	1.25	16	1 1/8"
14"	23	2.12	16.75	14	5.62	12	20.25	1.25	20	1 1/8"
16"	25.5	2.25	19	16	5.75	TO BE SPECIFIED BY PURCHASER	22.5	1.38	20	1 1/8"
18"	28	2.38	21	18	6.25		24.75	1.38	24	1 1/8"
20"	30.5	2.5	23.12	20	6.38		27	1.38	24	1 1/8"
24"	36	2.75	27.62	24	6.62		32	1.62	24	1 1/8"

**NOTE :** ALL DIMENSIONS IN (inches)

## 5.20 API 6A & ANSI FLANGES

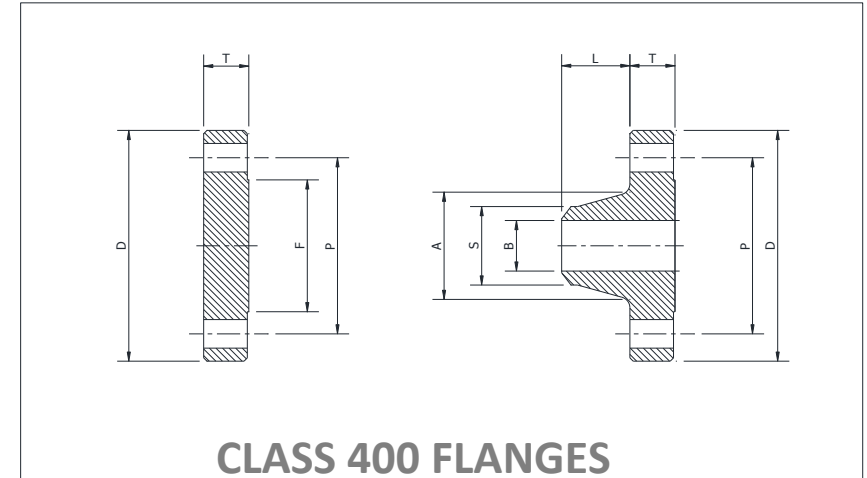


**CLASS 400 FLANGES**

CLASS 400 FLANGES										
NOMINAL PIPE SIZE (NPS)	OUTSIDE DIA. OF FLANGE (D)	THICKNESS OF FLANGE MIN. (T)	LARGE DIAMETER OF HUB (A)	SMALL DIAMETER OF HUB (S)	LENGTH THROUGH	BORE	DRILLING			
					WELDING NECK (L)	WELDING NECK (B)	DIAMETER OF BOLT CIRCLE (P)	DIAMETER OF BOLT HOLES	NUMBER OF HOLES	DIAMETER OF BOLTS
1/2"	3.75	0.56	1.5	0.84	2.06	TO BE SPECIFIED BY PURCHASER	2.62	0.62	4	1/2"
3/4"	4.62	0.62	1.88	1.05	2.25		3.25	0.75	4	5/8"
1"	4.88	0.69	2.12	1.32	2.44		3.5	0.75	4	5/8"
1 1/4"	5.25	0.81	2.5	1.66	2.62		3.88	0.75	4	5/8"
1 1/2"	6.12	0.88	2.75	1.9	2.75		4.5	0.88	4	3/4"
2"	6.5	1	3.31	2.38	2.88		5	0.75	8	5/8"
2 1/2"	7.5	1.12	3.94	2.88	3.12		5.88	0.88	8	3/4"
3"	8.25	1.25	4.62	3.5	3.25		6.62	0.88	8	3/4"
3 1/2"	9	1.38	5.25	4	3.38		7.25	1	8	7/8"
4"	10	1.38	5.75	4.5	3.5		7.88	1	8	7/8"

NOTE : ALL DIMENSIONS IN (inches)

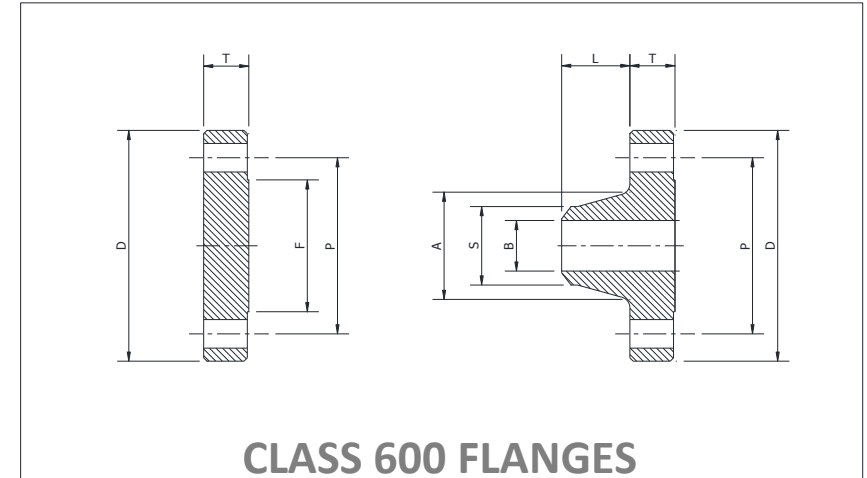
## 5.21 API 6A & ANSI FLANGES



CLASS 400 FLANGES										
NOMINAL PIPE SIZE (NPS)	OUTSIDE DIA. OF FLANGE (D)	THICKNESS OF FLANGE MIN. (T)	LARGE DIAMETER OF HUB (A)	SMALL DIAMETER OF HUB (S)	LENGTH THROUGH WELDING NECK (L)	BORE WELDING NECK (B)	DRILLING			
							DIAMETER OF BOLT CIRCLE (P)	DIAMETER OF BOLT HOLES	NUMBER OF HOLES	DIAMETER OF BOLTS
5"	11	1.5	7	5.56	4	TO BE SPECIFIED BY PURCHASER	9.25	1	8	7/8"
6"	12.5	1.62	8.12	6.63	4.06		10.62	1	12	7/8"
8"	15	1.88	10.25	8.63	4.62		13	1.12	12	1"
10"	17.5	2.12	12.62	10.75	4.88		15.25	1.25	16	1 1/8"
12"	20.5	2.25	14.75	12.75	5.38		17.75	1.38	16	1 1/4"
14"	23	2.38	16.75	14	5.88		20.25	1.38	20	1 1/4"
16"	25.5	2.5	19	16	6		22.5	1.5	20	1 3/8"
18"	28	2.62	21	18	6.5		24.75	1.5	24	1 3/8"
20"	30.5	2.75	23.12	20	6.62		27	1.62	24	1 1/2"
24"	36	3	27.62	24	6.88		32	1.88	24	1 3/4"

NOTE : ALL DIMENSIONS IN (inches)

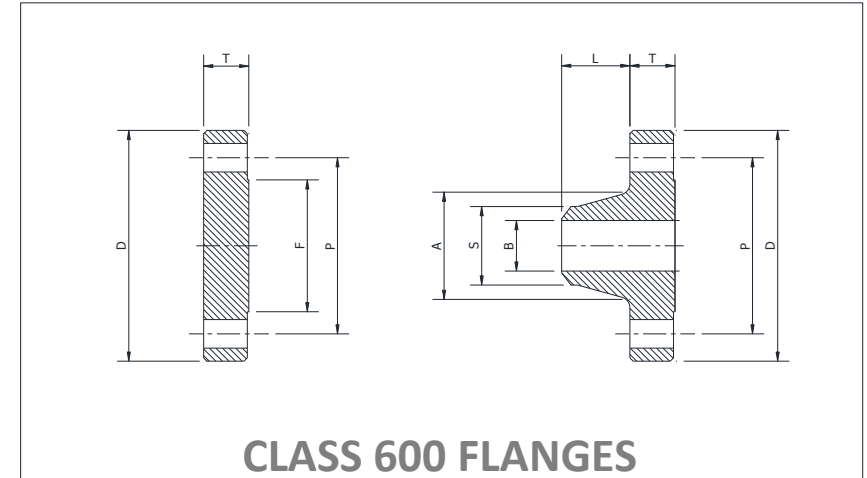
## 5.22 API 6A & ANSI FLANGES



CLASS 600 FLANGES										
					LENGTH THROUGH	BORE	DRILLING			
NOMINAL PIPE SIZE (NPS)	OUTSIDE DIA. OF FLANGE (D)	THICKNESS OF FLANGE MIN. (T)	LARGE DIAMETER OF HUB (A)	SMALL DIAMETER OF HUB (S)	WELDING NECK (L)	WELDING NECK (B)	DIAMETER OF BOLT CIRCLE (P)	DIAMETER OF BOLT HOLES	NUMBER OF HOLES	DIAMETER OF BOLTS
1/2"	3.75	0.56	1.5	0.84	2.06	TO BE SPECIFIED BY PURCHASER	2.62	0.62	4	1/2"
3/4"	4.62	0.62	1.88	1.05	2.25		3.25	0.75	4	5/8"
1"	4.88	0.69	2.12	1.32	2.44		3.5	0.75	4	5/8"
1 1/4"	5.25	0.81	2.5	1.66	2.62		3.88	0.75	4	5/8"
1 1/2"	6.12	0.88	2.75	1.9	2.75		4.5	0.88	4	3/4"
2"	6.5	1	3.31	2.38	2.88		5	0.75	8	5/8"
2 1/2"	7.5	1.12	3.94	2.88	3.12		5.88	0.88	8	3/4"
3"	8.25	1.25	4.62	3.5	3.25		6.62	0.88	8	3/4"
3 1/2"	9	1.38	5.25	4	3.38		7.25	1	8	7/8"
4"	10.75	1.5	6	4.5	4		8.5	1	8	7/8"

NOTE : ALL DIMENSIONS IN (inches)

## 5.23 API 6A & ANSI FLANGES

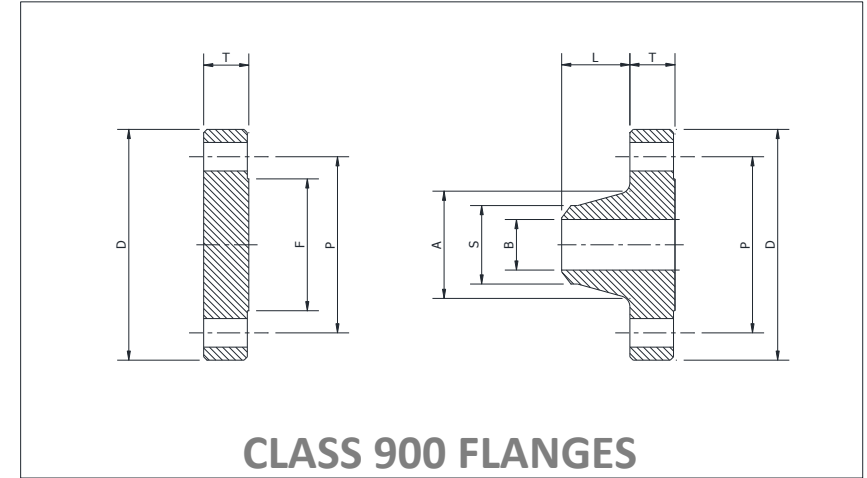


CLASS 600 FLANGES										
NOMINAL PIPE SIZE (NPS)	OUTSIDE DIA. OF FLANGE (D)	THICKNESS OF FLANGE MIN. (T)	LARGE DIAMETER OF HUB (A)	SMALL DIAMETER OF HUB (S)	LENGTH THROUGH WELDING NECK (L)	BORE WELDING NECK (B)	DRILLING			
							DIAMETER OF BOLT CIRCLE (P)	DIAMETER OF BOLT HOLES	NUMBER OF HOLES	DIAMETER OF BOLTS
5"	13	1.75	7.44	5.56	4.5	TO BE SPECIFIED BY PURCHASER	10.5	1.12	8	7/8"
6"	14	1.88	8.75	6.63	4.62		11.5	1.12	12	7/8"
8"	16.5	2.19	10.75	8.63	5.25		13.75	1.25	12	1"
10"	20	2.5	13.5	10.75	6		17	1.38	16	1 1/8"
12"	22	2.62	15.75	12.75	6.12		19.25	1.38	20	1 1/4"
14"	23.75	2.75	17	14	6.5		20.75	1.5	20	1 1/4"
16"	27	3	19.5	16	7		23.75	1.62	20	1 3/8"
18"	29.25	3.25	21.5	18	7.25		25.75	1.75	20	1 3/8"
20"	32	3.5	24	20	7.5		28.5	1.75	24	1 1/2"
24"	37	4	28.25	24	8		33	2	24	1 3/4"

NOTE : ALL DIMENSIONS IN (inches)



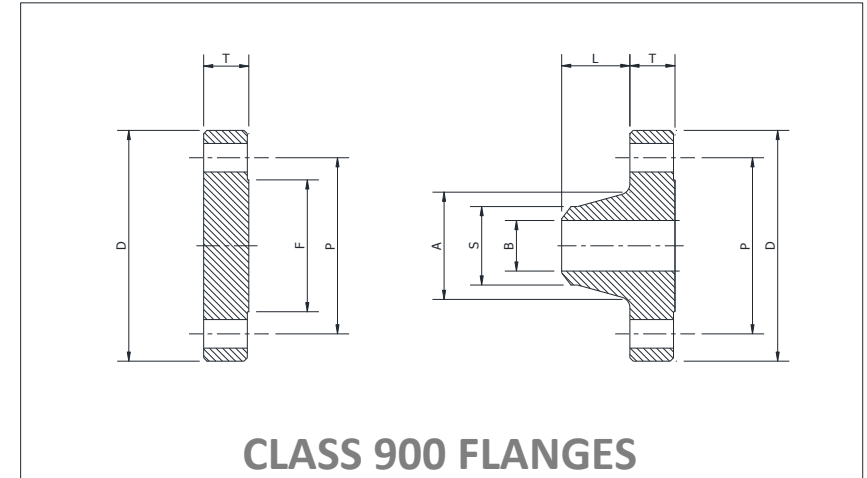
## 5.24 API 6A & ANSI FLANGES



CLASS 900 FLANGES										
NOMINAL PIPE SIZE (NPS)	OUTSIDE DIA. OF FLANGE (D)	THICKNESS OF FLANGE MIN. (T)	LARGE DIAMETER OF HUB (A)	SMALL DIAMETER OF HUB (S)	LENGTH THROUGH WELDING NECK (L)	BORE WELDING NECK (B)	DRILLING			
							DIAMETER OF BOLT CIRCLE (P)	DIAMETER OF BOLT HOLES	NUMBER OF HOLES	DIAMETER OF BOLTS
1/2"	4.75	0.88	1.5	0.84	2.38	TO BE SPECIFIED BY PURCHASER	3.25	0.88	4	3/4"
3/4"	5.12	1	1.75	1.05	2.75		3.5	0.88	4	3/4"
1"	5.88	1.12	2.06	1.32	2.88		4	1	4	7/8"
1 1/4"	6.25	1.12	2.5	1.66	2.88		4.38	1	4	7/8"
1 1/2"	7	1.25	2.75	1.9	3.25		4.88	1.12	4	1"
2"	8.5	1.5	4.12	2.38	4		6.5	1	8	7/8"
2 1/2"	9.62	1.62	4.88	2.88	4.12		7.5	1.12	8	1"
3"	9.5	1.5	5	3.5	4		7.5	1	8	7/8"
4"	11.5	1.75	6.25	4.5	4.5		9.25	1.25	8	1 1/8"

NOTE : ALL DIMENSIONS IN (inches)

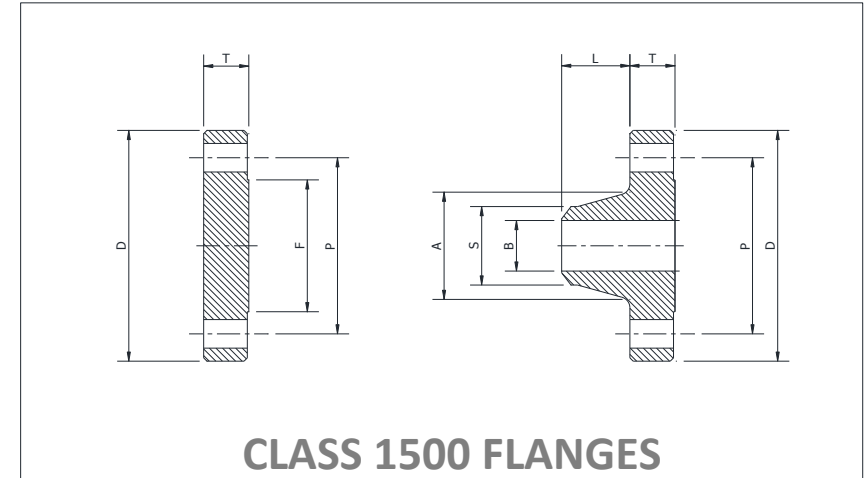
## 5.25 API 6A & ANSI FLANGES



CLASS 900 FLANGES										
NOMINAL PIPE SIZE (NPS)	OUTSIDE DIA. OF FLANGE (D)	THICKNESS OF FLANGE MIN. (T)	LARGE DIAMETER OF HUB (A)	SMALL DIAMETER OF HUB (S)	LENGTH THROUGH WELDING NECK (L)	BORE WELDING NECK (B)	DRILLING			
							DIAMETER OF BOLT CIRCLE (P)	DIAMETER OF BOLT HOLES	NUMBER OF HOLES	DIAMETER OF BOLTS
5"	13.75	2	7.5	5.56	5	TO BE SPECIFIED BY PURCHASER	11	1.38	8	1 1/4"
6"	15	2.19	9.25	6.63	5.5		12.5	1.25	8	1 1/8"
8"	18.5	2.5	11.75	8.63	6.38		15.5	1.5	12	1 3/8"
10"	21.5	2.75	14.5	10.75	7.25		18.5	1.5	12	1 3/8"
12"	24	3.12	16.5	12.75	7.88		21	1.5	16	1 3/8"
14"	25.25	3.38	17.75	14	8.38		22	1.62	20	1 1/2"
16"	27.75	3.5	20	16	8.5		24.25	1.75	20	1 5/8"
18"	31	4	22.25	18	9		27	2	20	1 7/8"
20"	33.75	4.25	24.5	20	9.75		29.5	2.12	20	2"
24"	41	5.5	29.5	24	11.5		35.5	2.62	20	2 1/2"

**NOTE :** ALL DIMENSIONS IN (inches)

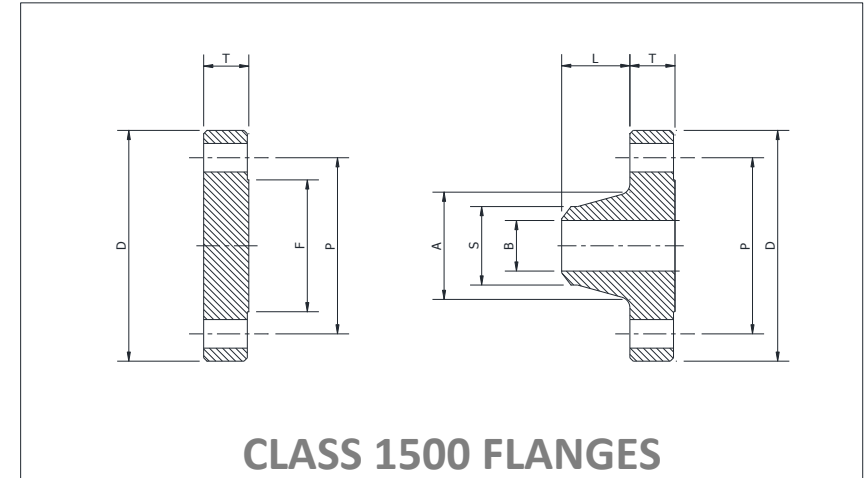
## 5.26 API 6A & ANSI FLANGES



CLASS 1500 FLANGES										
NOMINAL PIPE SIZE (NPS)	OUTSIDE DIA. OF FLANGE (D)	THICKNESS OF FLANGE MIN. (T)	LARGE DIAMETER OF HUB (A)	SMALL DIAMETER OF HUB (S)	LENGTH THROUGH	BORE	DRILLING			
					WELDING NECK (L)	WELDING NECK (B)	DIAMETER OF BOLT CIRCLE (P)	DIAMETER OF BOLT HOLES	NUMBER OF HOLES	DIAMETER OF BOLTS
1/2"	4.75	0.88	1.5	0.84	2.38	TO BE SPECIFIED BY PURCHASER	3.25	0.88	4	3/4"
3/4"	5.12	1	1.75	1.05	2.75		3.5	0.88	4	3/4"
1"	5.88	1.12	2.06	1.32	2.88		4	1	4	7/8"
1 1/4"	6.25	1.12	2.5	1.66	2.88		4.38	1	4	7/8"
1 1/2"	7	1.25	2.75	1.9	3.25		4.88	1.12	4	1"
2"	8.5	1.5	4.12	2.38	4		6.5	1	8	7/8"
2 1/2"	9.62	1.62	4.88	2.88	4.12		7.5	1.12	8	1"
3"	10.5	1.88	5.25	3.5	4.62		8	1.25	8	1 1/8"
4"	12.25	2.12	6.38	4.5	4.88		9.5	1.38	8	1 1/4"

**NOTE :** ALL DIMENSIONS IN (inches)

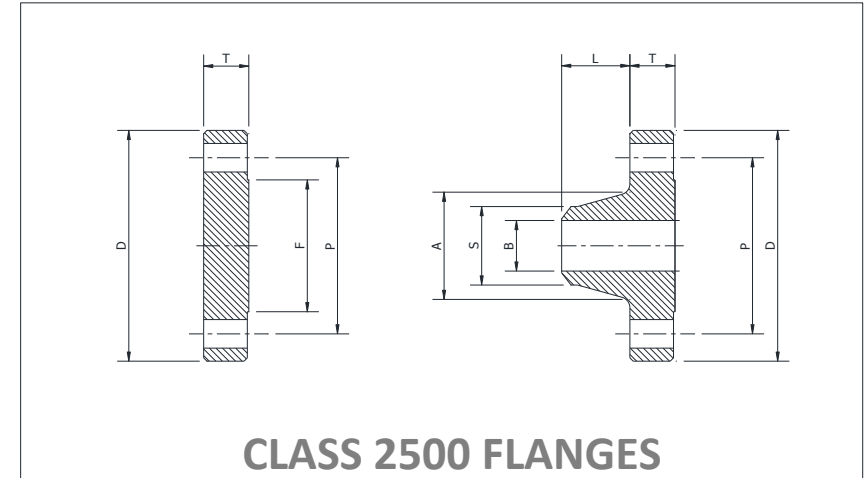
## 5.27 API 6A & ANSI FLANGES



CLASS 1500 FLANGES										
NOMINAL PIPE SIZE (NPS)	OUTSIDE DIA. OF FLANGE (D)	THICKNESS OF FLANGE MIN. (T)	LARGE DIAMETER OF HUB (A)	SMALL DIAMETER OF HUB (S)	LENGTH THROUGH WELDING NECK (L)	BORE WELDING NECK (B)	DRILLING			
							DIAMETER OF BOLT CIRCLE (P)	DIAMETER OF BOLT HOLES	NUMBER OF HOLES	DIAMETER OF BOLTS
5"	14.75	2.88	7.75	5.56	6.12	TO BE SPECIFIED BY PURCHASER	11.5	1.62	8	1 1/2"
6"	15.5	3.25	9	6.63	6.75		12.5	1.5	12	1 3/8"
8"	19	3.62	11.5	8.63	8.38		15.5	1.75	12	1 5/8"
10"	23	4.25	14.5	10.75	10		19	2	12	1 7/8"
12"	26.5	4.88	17.75	12.75	11.12		22.5	2.12	16	2"
14"	29.5	5.25	19.5	14	11.75		25	2.38	16	2 1/4"
16"	32.5	5.75	21.75	16	12.25		27.75	2.62	16	2 1/2"
18"	36	6.38	23.5	18	12.88		30.5	2.88	16	2 3/4"
20"	38.75	7	25.25	20	14		32.75	3.12	16	3"
24"	46	8	30	24	16		39	3.62	16	3 1/2"

**NOTE :** ALL DIMENSIONS IN (inches)

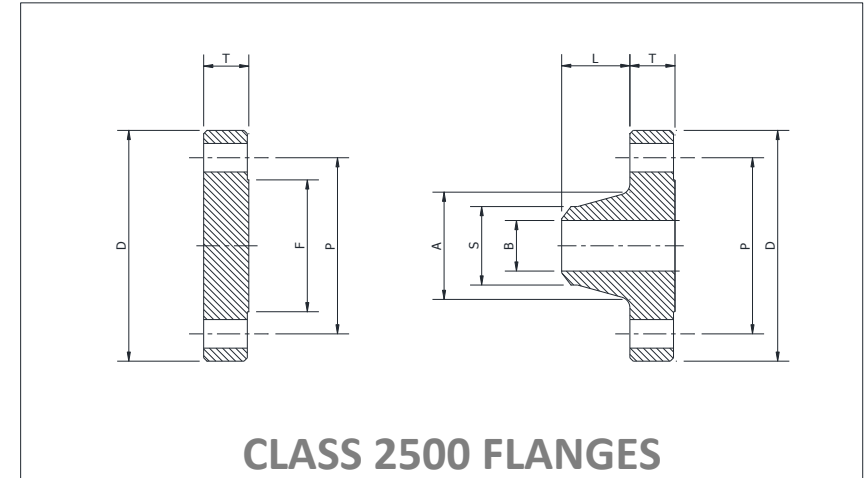
## 5.28 API 6A & ANSI FLANGES



CLASS 2500 FLANGES										
NOMINAL PIPE SIZE (NPS)	OUTSIDE DIA. OF FLANGE (D)	THICKNESS OF FLANGE MIN. (T)	LARGE DIAMETER OF HUB (A)	SMALL DIAMETER OF HUB (S)	LENGTH THROUGH	BORE	DRILLING			
					WELDING NECK (L)	WELDING NECK (B)	DIAMETER OF BOLT CIRCLE (P)	DIAMETER OF BOLT HOLES	NUMBER OF HOLES	DIAMETER OF BOLTS
1/2"	5.25	1.19	1.69	0.84	2.88	TO BE SPECIFIED BY PURCHASER	3.5	0.88	4	3/4"
3/4"	5.5	1.25	2	1.05	3.12		3.75	0.88	4	3/4"
1"	6.25	1.38	2.25	1.32	3.5		4.25	1	4	7/8"
1 1/4"	7.25	1.5	2.88	1.66	3.75		5.12	1.12	4	1"
1 1/2"	8	1.75	3.12	1.9	4.38		5.75	1.25	4	1 1/8"
2"	9.25	2	3.75	2.38	5		6.75	1.12	8	1"
2 1/2"	10.5	2.25	4.5	2.88	5.62		7.75	1.25	8	1 1/8"
3"	12	2.62	5.25	3.5	6.62		9	1.38	8	1 1/4"
4"	14	3	6.5	4.5	7.5		10.75	1.62	8	1 1/2"

**NOTE :** ALL DIMENSIONS IN (inches)

## 5.29 API 6A & ANSI FLANGES



CLASS 2500 FLANGES										
					LENGTH THROUGH	BORE	DRILLING			
NOMINAL PIPE SIZE (NPS)	OUTSIDE DIA. OF FLANGE (D)	THICKNESS OF FLANGE MIN. (T)	LARGE DIAMETER OF HUB (A)	SMALL DIAMETER OF HUB (S)	WELDING NECK (L)	WELDING NECK (B)	DIAMETER OF BOLT CIRCLE (P)	DIAMETER OF BOLT HOLES	NUMBER OF HOLES	DIAMETER OF BOLTS
5"	16.5	3.62	8	5.56	9	TO BE SPECIFIED BY PURCHASER	12.75	1.88	8	1 3/4"
6"	19	4.25	9.25	6.63	10.75		14.5	2.12	8	2"
8"	21.75	5	12	8.63	12.5		17.25	2.12	12	2"
10"	26.5	6.5	14.75	10.75	16.5		21.25	2.62	12	2 1/2"
12"	30	7.25	17.38	12.75	18.25		24.38	2.88	12	2 3/4"

**NOTE :** ALL DIMENSIONS IN (inches)